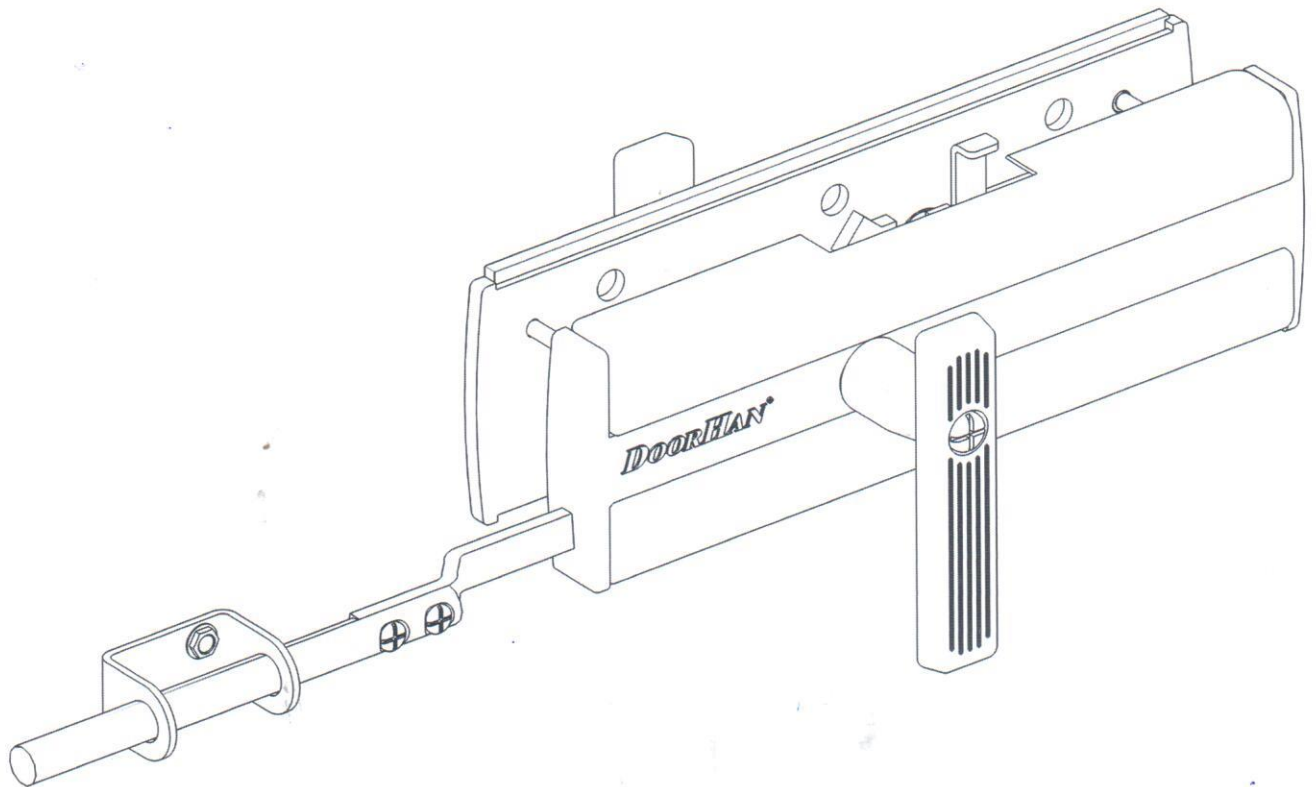


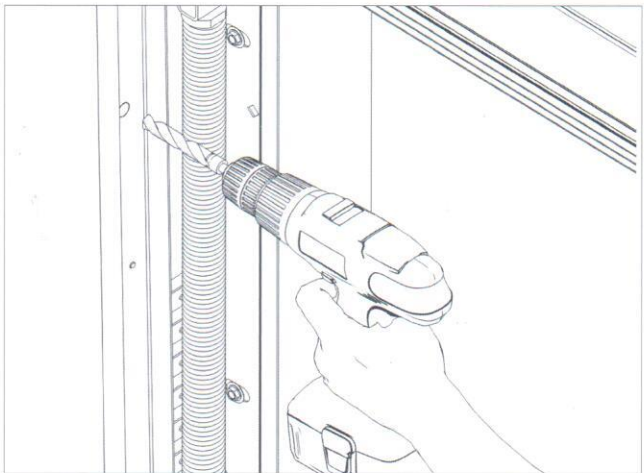
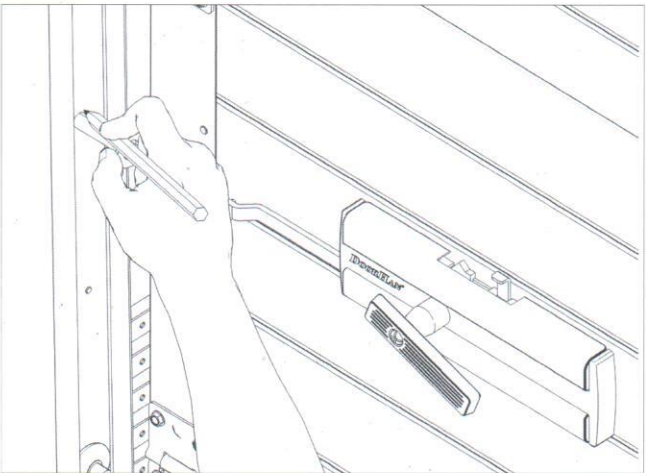
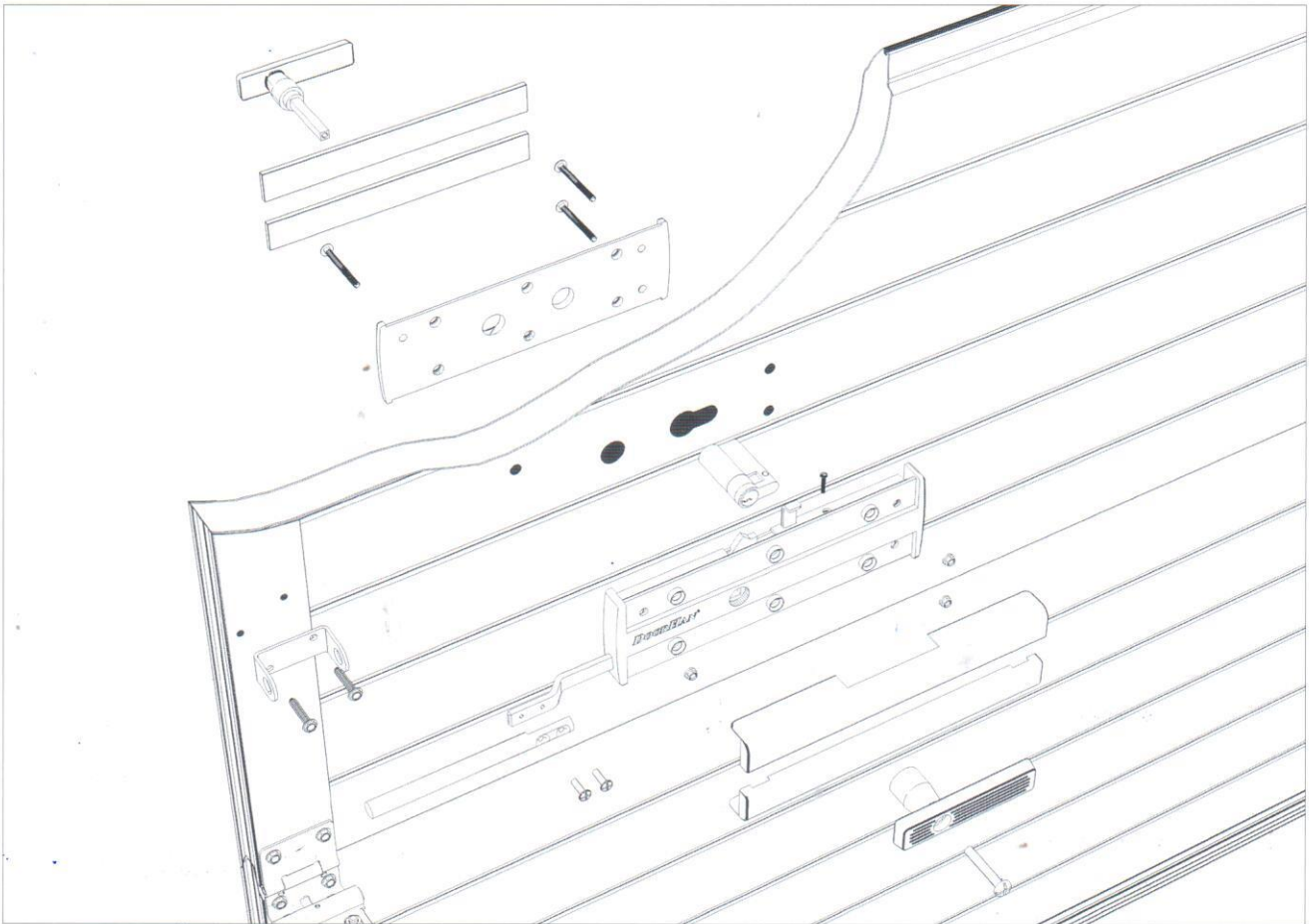
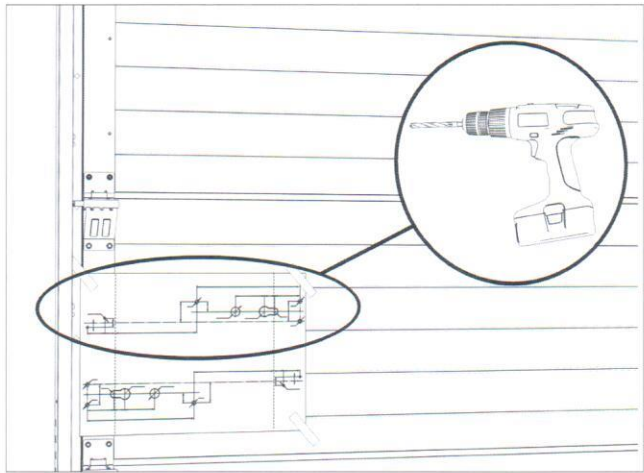
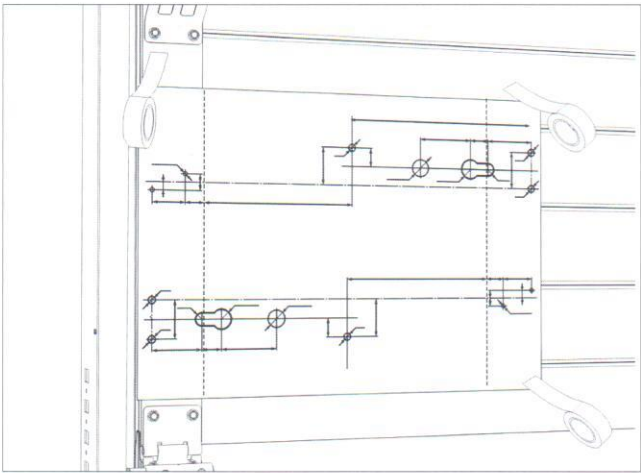
**DOORHAN<sup>®</sup>**



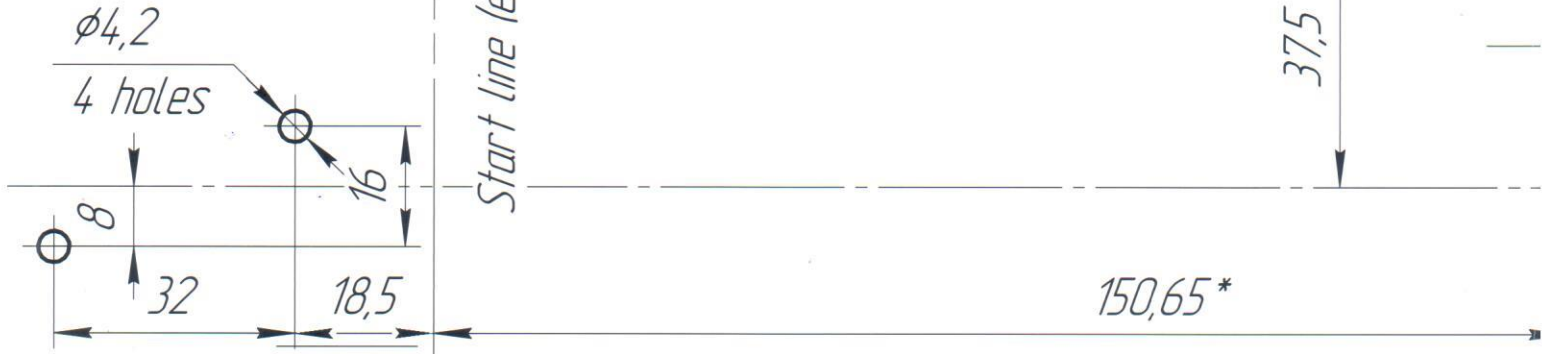
---

# **LOCK INSTALLATION MANUAL**

**QUALITY · RELIABILITY · LONGEVITY · EFFICIENCY**



*Left lock*



*Right lock*

